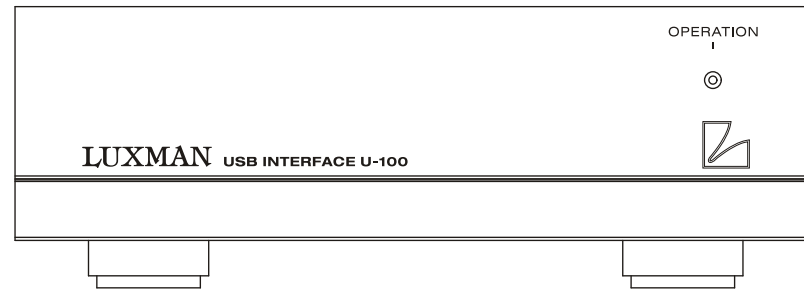


LUXMAN

USB INTERFACE

U-100

Owner's Manual



Thank you for using LUXMAN USB Interface U-100.

Please read this manual carefully before using the product to ensure that you can use it appropriately, maximize the function of the product and optimize the playback performance of the music.

After reading this manual, please refer to the warranty card and safety instructions for further references.

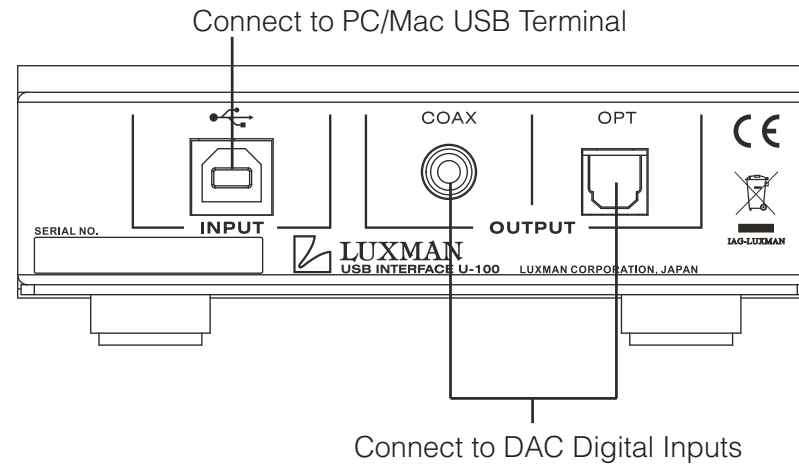
INTRODUCTION

With the increased popularity of computers as sources, this U-100 USB interface allows owners of digital-to-analog converters (DAC) to enjoy listening to digital music sources from a computer (Windows or Mac) via USB connection. This product's USB 1.1 and 2.0 compliant. No custom USB drivers or software programs are required. This device supports ASIO and sampling frequencies cover 44.1kHz, 48kHz and 96kHz. Simply convert the digital music files from your computer to SPDIF signal, which feeds your DAC. The U-100 USB interface uses the same Tenor TE7022 converter chip as has employed in highly acclaimed Luxman DA-200 digital pre-amplifier.

INSTRUCTIONS

1. Connect the USB terminal on the USB interface U-100 to a USB connector on your computer.
 2. With the computer in operation mode, the LED indicator on the U-100 will detect the digital data and glow blue to show the presence of digital audio signal.
 3. Connect the coaxial or Toslink optical digital output on the U-100 to a corresponding digital input on your DAC as illustrated below.
 4. Your DAC or CD player with digital input will lock on to the digital data. The display screen will then indicate the presence of digital signal as well as and show the output sampling frequency of the music file on your computer.
-

CONNECTIONS



SPECIFICATIONS

Input Band Depth	16 bits and 24 bits/32 kHz ~ 44.1 kHz ~ 48 kHz ~ 96 kHz
Digital Input	USB 1.1 and 2.0 compatible
Digital Outputs	S/PDIF coaxial digital Toslink optical digital
Digital Output Level	0.5Vpp
Sampling Rate	44.1 kHz ~ 48 kHz ~ 96 kHz
Phase error	0.02°
Total Harmonic Distortion	0.00002%

ATTENTION BEFORE SERVICE

Symptom	Cause	Remedy
LED on U 100 does not glow	Computer has been switched off Connection cable heretofore loosened	Switch the computer on Reconnect USB cable securely
There is no sound	Computer does not detect the presence of the U 100 DAC does not lock on incoming data even with USB cable connected Volume controls set to minimum	Go to Control Panel > Sounds and Audio Devices Properties > Audio tab > Sound playback > Select the U 100 as default device Set output sampling frequency to a lower frequency on the computer Turn volume control up or decrease

Should the above symptoms persist with all instructions observed, your U 100 USB interface may require servicing.

SERVICE AND WARRANTY

Please refer to the accompanying warranty card.



IAG-LUXMAN

Correct disposal of this product: This marking indicates that this product should not be disposed of with other household wastes throughout the EU. To prevent possible harm to the environment or human health from uncontrolled waste disposal, recycle responsibly. Promote the sustainable reuse of materials resources. To return your used device, please use the return and collection systems or contact the retailer where the product was purchased. They can take this product or environmentally safe recycling.



LUXMAN

IAG House, Sovereign Court, Ermine Business Park, Huntingdon, Cambs, PE29 6XU, UK
Tel: +44(0)1480 447700 Fax: +44(0)1480 431767 <http://www.luxman.co.jp>

ラックスマン株式会社 〒222-0033 神奈川県横浜市港北区新横浜1-3-1
tel.045-470-6991 fax.045-470-6997 www.luxman.co.jp

IAG reserves the right to alter the design and specifications without notice. All rights reserved © IAG Group Ltd.
Luxman is a member of the International Audio Group. CODE: LX10-MNL0024